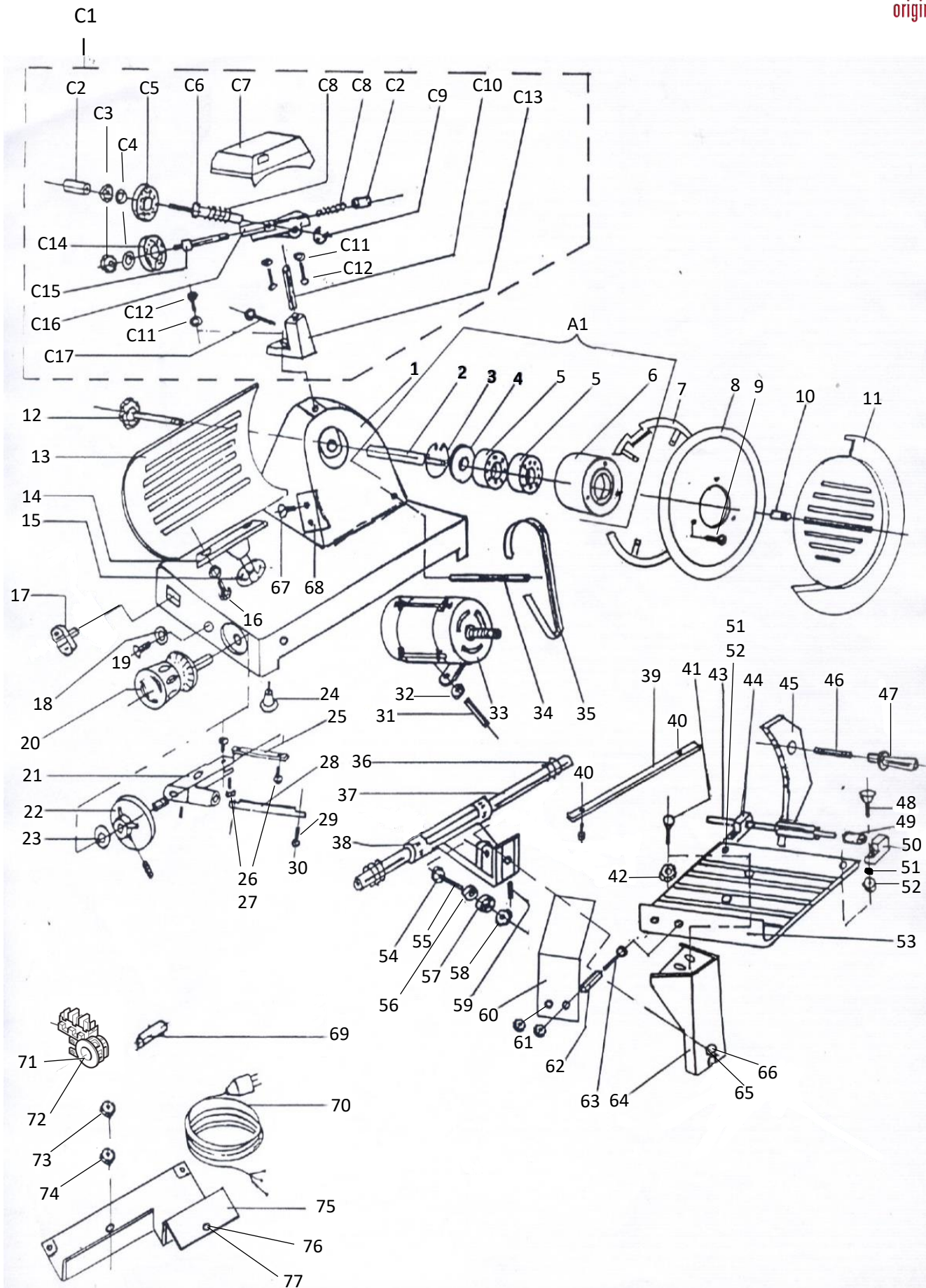


250 TYPE 2000 CE DOMESTIC



ITEM	ITEM CODE	DESCRIPTION
C1		COMPLETE SHARPENER
C2	ABO3/PUL001	BUTTON
C3	ABO3/DAD002	NUT
C4	ABO3/RON001	WASHER
C5	ABO2/SME002	STONE
C6	ABO3/PER003	SHARPENER PIN
C7	ABO1/CAP002	SHARPENER COVER
C8	ABO3/MOL001	SPRING
C9	ABO3/SEI001	SEIGER
C10	ABO3/PER004	PIN SHARPENER 2 GROOVES
C11	ABO3/RON001	WASHER
C12	ABO3/VIT001	SCREW
C13	ABO2/PIP002	PLASTIC SHARPENER SUPPORT
C14	ABO2/SME001	SHARPENING STONE
C15	ABO3/PER003	SHARPENER PIN
C16	ABO2/BLO002	SHARPENER BODY 220/250 PLASTIC
C17	ABO2/POM006	SHARPENER KNOB
A1		COMPLETE PULLEY
1	ABO1/CAS002	BASE
2	ABO3/PER002	PULLEY PIN
3	ABO3/SEI001	SEIGER
4	ABO3/RON001	WASHER
5	ABO2/CUS002	PULLEY BEARING
6	ABO2/PUL002	PULLEY
7	ABO2/RAG002	BLADE PROTECTION
8	ABO2/LAM002	BLADE
9	ABO3/VIT001	SCREW
10	ABO3/BUS002	COVERBLADE COMPASS
11	ABO1/COP002	BLADE SHIELD
12	ABO6/TIR003	TIE ROD BLADE SHIELD
13	ABO1/VEL002	SAIL
14	ABO1/SUP002	SUPPORT SAIL
15	ABO2/PAR001	SUCKER
16	ABO3/VIT001	SCREW
17	ABO2/INT001	SWITCH
18	ABO3/RON001	WASHER
19	ABO3/VIT001	SCREW
20	ABO2/MAN012	GRADUATED KNOB
21	ABO2/GRU002	BLOCK
22	ABO2/CAM001	CAM
23	ABO3/RON002	WASHER
24	ABO2/PIE001	FOOT
25	ABO3/PIA007	BLOCK PLATE
26	ABO3/VIT001	SCREW
27	ABO3/RON001	WASHER
28	ABO3/PER032	PIN BLOCK
29	ABO3/VIT001	SCREW
30	ABO3/RON001	WASHER

31	ABO3/VIT001	SCREW
32	ABO3/DAD002	NUT
33	ABO2/MOT002	MOTOR
34	ABO3/SPI001	MOTOR PLUG
35	ABO2/CIN002	MOTOR BELT
36	ABO3/MOL001	SPRING
37	ABO3/BAR001TO	CYLINDRICAL BAR
38	ABO2/CAN002	SLIDING SUPPORT 220/250
39	ABO3/BAR001Q	SQUARE BAR
40	ABO3/VIT001	SCREW
41	ABO3/VIT001	SCREW
42	ABO3/DAD002	NUT
43	ABO3/AST001	PRESSARM SHAFT
44	ABO2/BLO006	PLATE BLOCK
45		ARM
46	ABO3/PRO002	ARM EXTENSION
47	ABO2/POM004	KNOB
48	ABO3/VIT001	SCREW
49	ABO3/BUS003	COMPASS
50	ABO2/BLO006	PLATE BLOCK
51	ABO3/RON001	WASHER
52	ABO3/DAD002	NUT
53	ABO1/PIA002	PLATE
54	ABO3/VIT001	SCREW
55	3/PER001	BEARING PIN
56	ABO3/RON001	WASHER
57	2/CUS008	BALL BEARING 608 ZZ SMOOTH
58	ABO3/RON001	WASHER
59	AB03/GRA001	SCREW
60	ABO2/PAR002	HAND PROTECTION
61	ABO3/DAD002	NUT
62		SPACER
63	ABO3/VIT001	SCREW
64	ABO1/BRA002	ARM
65	3/COV001CAPB8	COVER CAP BASE
66	3/COV001CAP8	COVER CAP 8
67	3/VIT009	
68	ABO2/PAR012	SLICE PROTECTION
69	ABO2/CON002	CAPACITOR
70	2/COR009A	PLUG
71	2/SER002	CABLE CLAMP
72	2/CAV005	CABLE PA 84E
73	ABO3/DAD002	NUT
74	AB03/GRA001	SCREW
75	ABO2/PRO002	ELECTRICAL PART PROTECTION
76	ABO3/VIT001	SCREW
77	ABO3/RON001	WASHER